

KP35B自卸车举升泵 KP35B dump truck lifting gear pump

本系列产品主要用于4-6吨自卸车的液压系统中，作为倾斗油缸的液压动力源，泵上装有与泵体内联的操纵阀，可通过操纵杆控制车斗的举升和降落。

KP35B series pumps are mainly applied in the hydraulic system of 4-6 tons capacity dump truck as the hydraulic power source of the bucket cylinder. The bucket can be lifted and lowered by operating the joystick on the control valve, which was assembled with the pump as a whole body in inner-connected way.

性能参数 Performance parameters

理论排量：35ml/r

Theoretical Displacement: 35ml/r

最高实验压力：175kgf/cm²

Max testing pressure: 175kgf/cm²

额定压力：45kgf/cm²

Rated pressure: 45kgf/cm²

控制阀杆的钢丝作用力：10kg

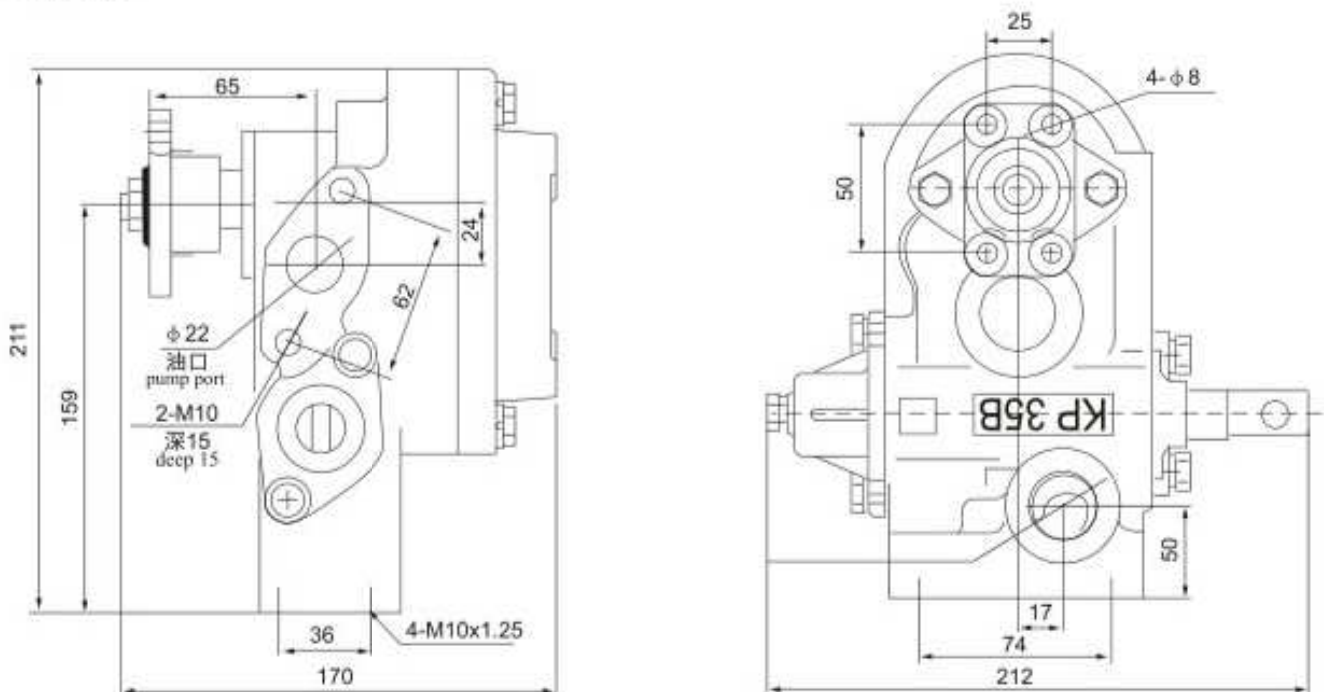
Force on the steel cable of control valve: 10 kg

油泵总质量：10kg

Total weight of oil pump: 10 kg



外形图 Layout



KP55自卸车举升泵

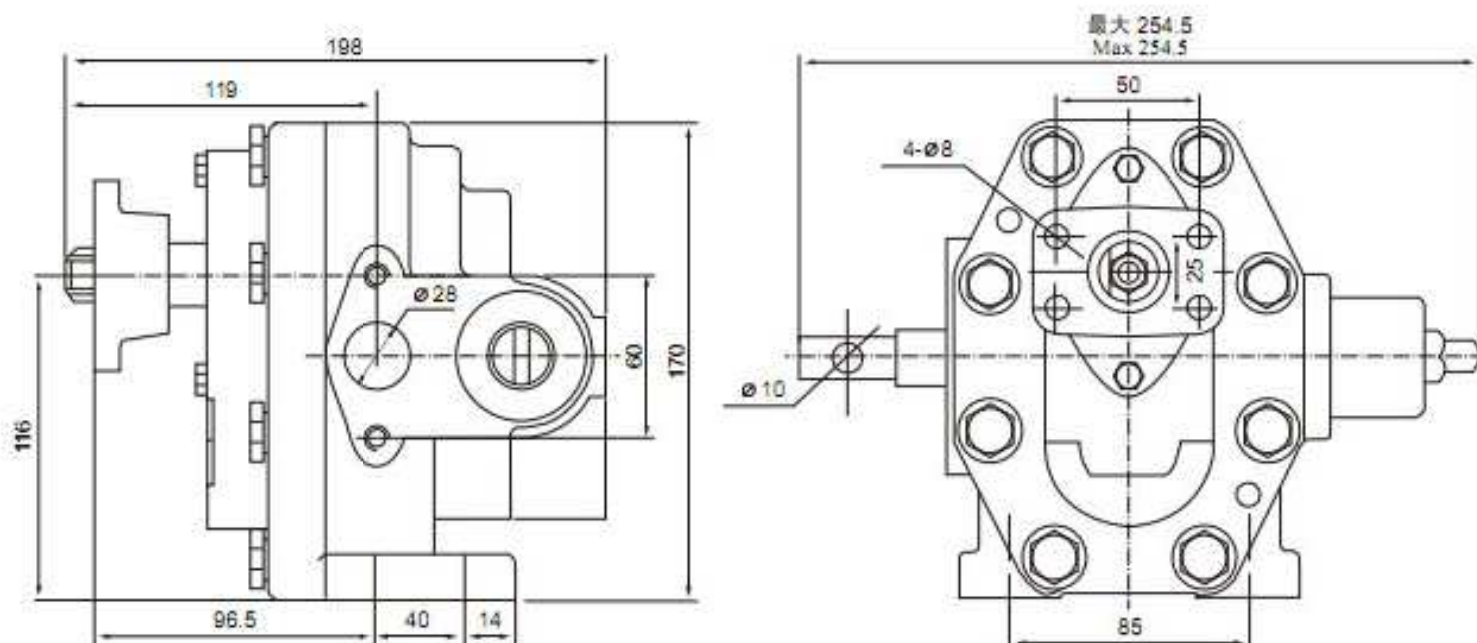
KP55 dump truck lifting gear pump

KP55举升泵主要用于4-6吨自卸车的液压系统中，作为倾斗油缸的液压动力源。该泵采用高强度铸铁材料，使其承受能力极强。内部结构采用了双金属侧板，操纵阀与止回阀与泵体联体等多项先进技术。该泵具有工作压力高，使用寿命长，泵阀一体简化液压系统等特点是自卸车液压系统的理想动力源。

KP55 lifting gear pumps are mainly applied in 4-6 tons dump truck hydraulic system as the hydraulic power source of bucket cylinder. Adopting the material of high strength casting iron and the advanced technology of double metal side plates with special structure to connect control-valve, return-valve and pump as a whole body, the pumps are featured of strong resistance of high working pressure, long lifetime, smart and simple hydraulic system as integration of pump and valve, which makes the pump being the ideal power source of dump truck hydraulic system.



外形图 Layout



性能参数 Performance parameters

理论排量: 55 ml/r
 额定压力: 70 kgf/cm²
 控制阀杆的钢丝作用力: 13 kg
 油泵总量: 13 kg
 Theoretical displacement: 55ml/r
 Rated pressure: 70kgf/cm²
 Steel cable force of controlling valve: 13 kg
 Total weight of oil pump: 13 kg

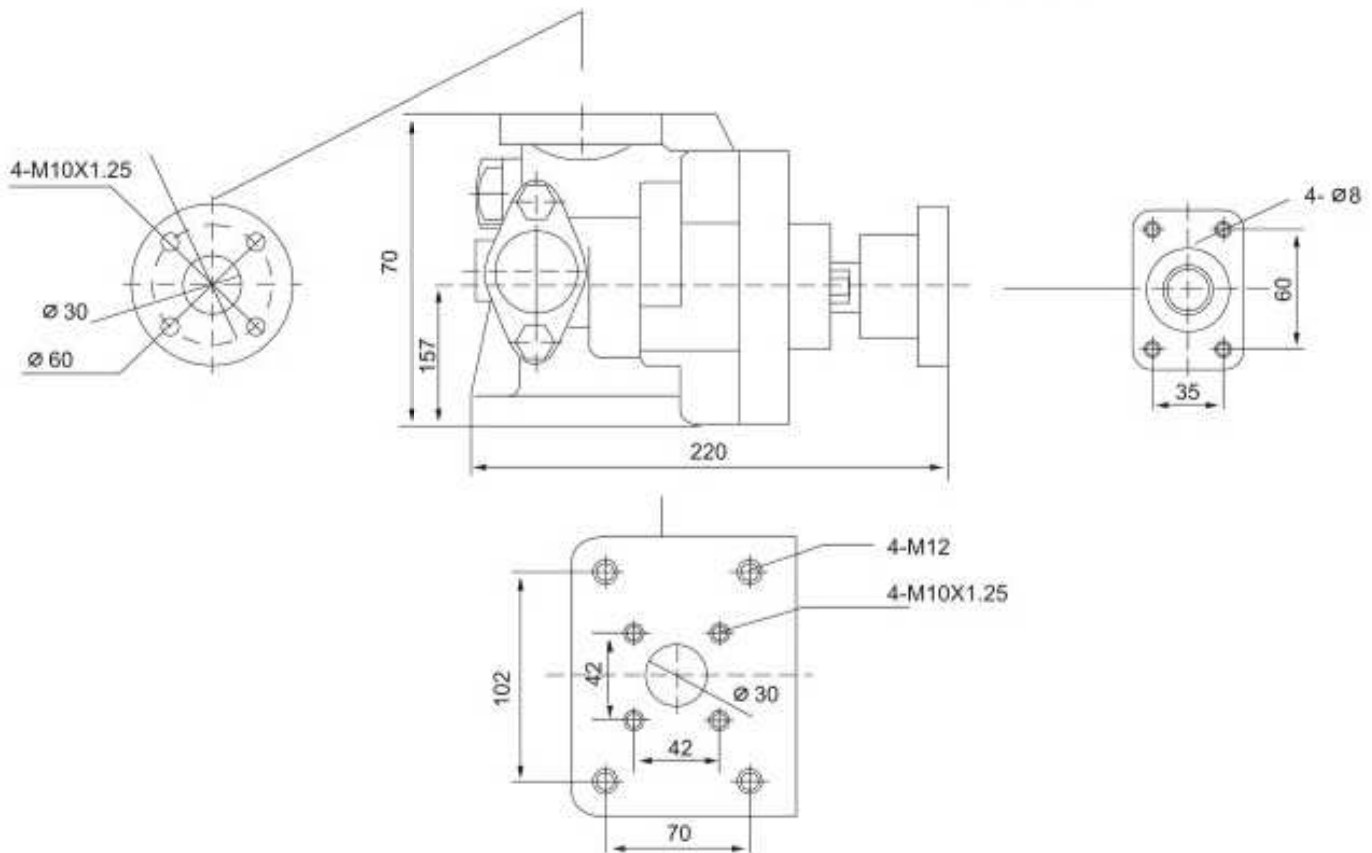
工作条件 Working conditions

油液过滤精度: $\leq 25\mu\text{m}$
 吸油: $\leq 500\text{mm}$
 驱动: 采用挠性联轴器直接驱动
 旋转方向: 逆时针 (从轴端看)
 Oil filter precision: $\leq 25\mu\text{m}$
 Oil suction height: $\leq 500\text{mm}$
 Drive: use flexible coupling by direct drive
 Direction of rotation: counterclockwise (from shaft end of pump)

KP75A自卸车举升泵 KP75A dump truck lifting gear pump

KP75A举升泵主要用于6-10吨自卸车的液压系统中，作为倾斗油缸的液压动力源，该泵采用高强度铸铁材料，使其承受能力极强，内部结构采用了双金属侧板，操纵阀与止回阀与泵体联体等多项先进技术，该泵具有工作压力高，使用寿命长，泵阀一体简化液压系统等特点是自卸车液压系统的理想动力源。

KP75A lifting gear pumps are mainly applied in 6-10 tons dump truck hydraulic system as the hydraulic power source of bucket cylinder. Adopting the material of high strength casting iron and the advanced technology of double metal side plates with special structure to connect control-valve, return-valve and pump as a whole body, the pumps are featured of strong resistance of high working pressure, long lifetime, smart and simple hydraulic system as integration of pump and valve, which makes the pump being the ideal power source of dump truck hydraulic system.



性能参数 Performance parameters

理论排量: 75 ml/r 额定压力: 70 kgf/cm²
 额定转速: 800 rpm 最低转速: 350 rpm
 最高实验压力: 210 kgf/cm²
 最高转速: 1800 rpm
 控制阀杆的钢丝作用力: 14 kg
 油泵总重: 21 kg

Theoretical displacement: 75ml/r Rated pressure: 70kgf/cm²
 Rated revolution: 800 rpm Mini revolution: 350 rpm
 Max testing pressure: 210kgf/cm²
 Max revolution: 1800rpm
 Steel cable force of controlling valve: 14 kg
 Total weight of oil pump: 21 kg

工作条件 Working conditions

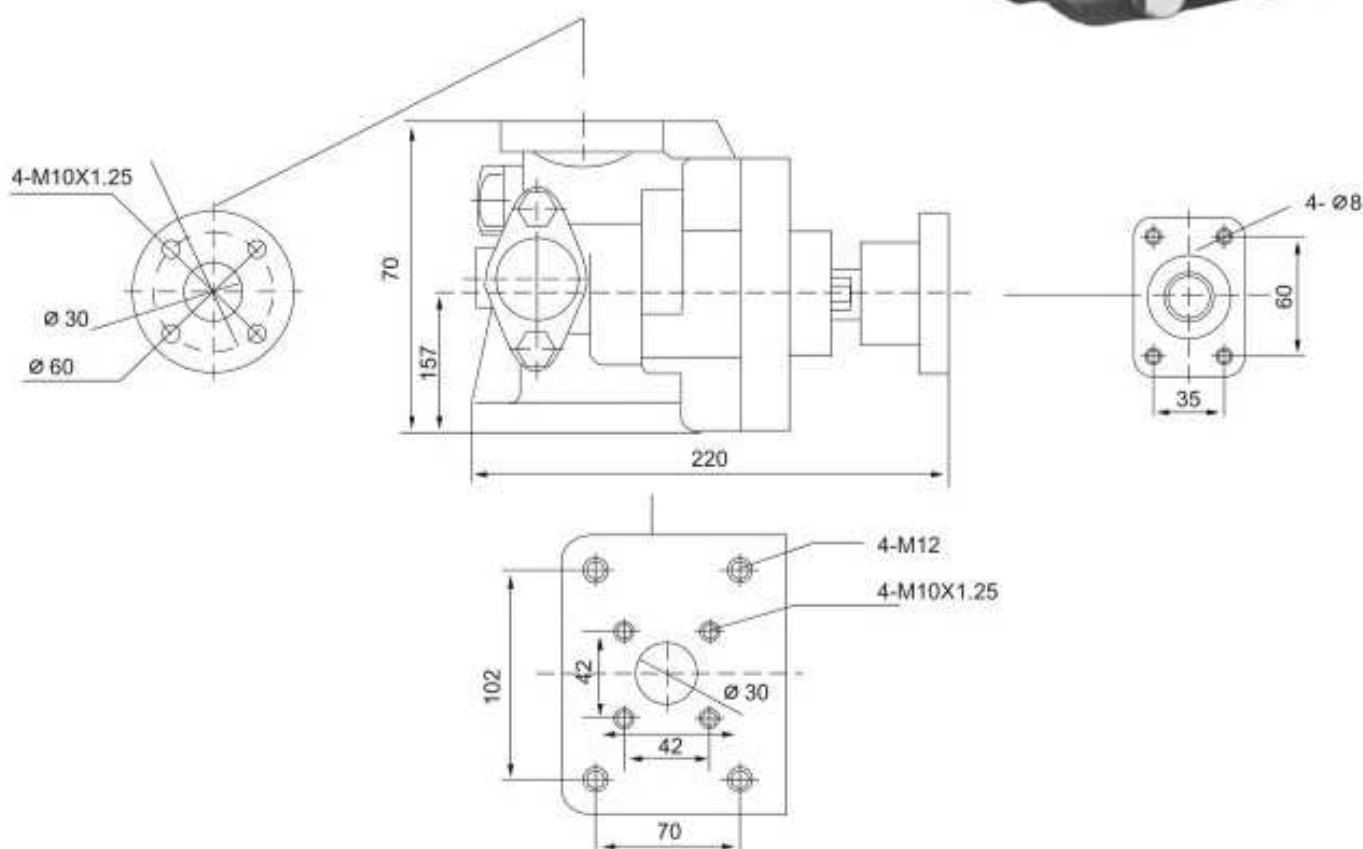
油液温度范围: -20°C -80°C
 液压油粘度范围: 10-75c.s.t
 油液过滤精度: ≤25 μm
 吸油高度: ≤500 mm
 驱动: 采用挠性联轴器直接驱动
 旋转方向: 逆时针 (从轴端看)

The temperature of hydraulic oil -20°C -80 °C
 Viscosity of hydraulic oil: 10-75c.s.t
 Oil filter precision: < 25μm
 Oil suction height: < 500mm
 Drive: use flexible coupling by direct drive
 Direction of rotation: counterclockwise (from shaft end of pump)

KP75B自卸车举升泵 KP75B dump truck lifting gear pump

KP75B举升泵主要用于6-10吨自卸车的液压系统中，作为倾斗油缸的液压动力源，该泵采用高强度铸铁材料，使其承受能力极强，内部结构采用了双金属侧板，操纵阀与止回阀与泵体联体等多项先进技术，该泵具有工作压力高，使用寿命长，泵阀一体化简化液压系统等特点是自卸车液压系统的理想动力源。

KP75B lifting gear pumps are mainly applied in 6-10 tons dump truck hydraulic system as the hydraulic power source of bucket cylinder. Adopting the material of high strength casting iron and the advanced technology of double metal side plates with special structure to connect control-valve, return-valve and pump as a whole body, the pumps are featured of strong resistance of high working pressure, long lifetime, smart and simple hydraulic system as integration of pump and valve, which makes the pump being the ideal power source of dump truck hydraulic system.



性能参数 Performance parameters

理论排量: 75 ml/r 额定压力: 70 kgf/cm²
 额定转速: 800 rpm 最低转速: 350 rpm
 最高实验压力: 210 kgf/cm²
 最高转速: 1800 rpm
 控制阀杆的钢丝作用力: 14 kg
 油泵总重: 21 kg

Theoretical displacement: 75ml/r Rated pressure: 70kgf /cm²
 Rated revolution: 800 rpm Mini revolution: 350 rpm
 Max testing pressure: 210kgf/cm²
 Max revolution: 1800rpm
 Steel cable force of controlling valve: 14 kg
 Total weight of oil pump: 21 kg

工作条件 Working conditions

油液温度范围: -20°C -80°C
 液压油粘度范围: 10~75c.s.t
 油液过滤精度: ≤25 μm
 吸油高度: ≤500 mm
 驱动: 采用挠性联轴器直接驱动
 旋转方向: 逆时针 (从轴端看)

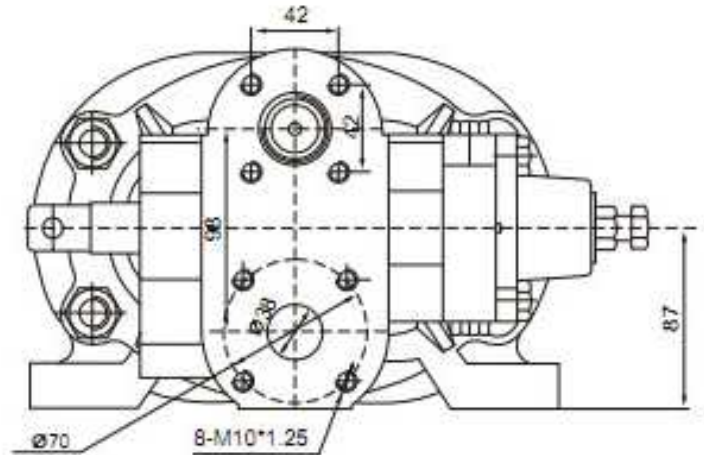
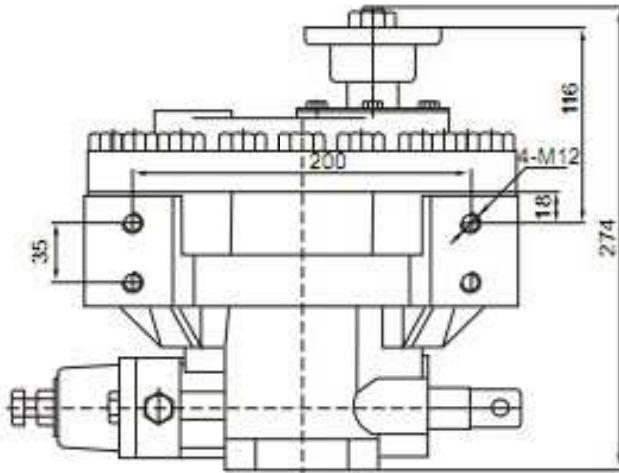
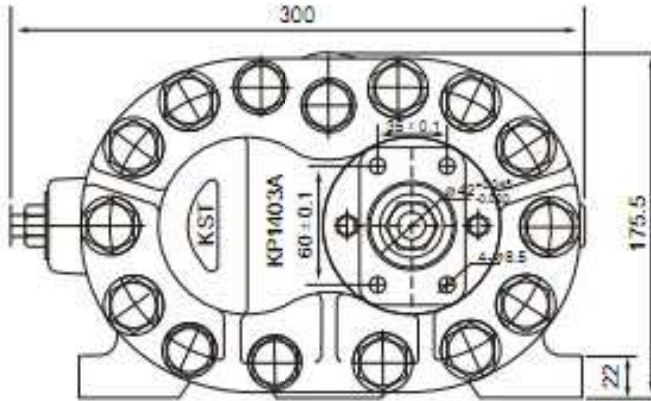
The temperature of hydraulic oil -20℃ -80℃
 Viscosity of hydraulic oil: 10~75c.s.t
 Oil filter precision: < 25μm
 Oil suction height: < 500mm
 Drive: use flexible coupling by direct drive
 Direction of rotation: counterclockwise (from shaft end of pump)

KP1403A自卸车举升泵 KP1403A dump truck lifting gear pumps

KP1403A举升泵主要用于10-20吨自卸车的液压系统中，作为倾斗油缸的液压动力源，该泵采用高强度铸铁材料，使其承受能力极强，内部结构采用了双金属侧板，操纵阀与止回阀与泵体联体等多项先进技术，该泵具有工作压力高，使用寿命长，泵阀一体简化液压系统等特点，是自卸车液压系统的理想动力源。

KP1403A lifting gear pumps are mainly applied in 10-20 tons dump truck hydraulic system as the hydraulic power source of bucket cylinder. Adopting the material of high strength casting iron and the advanced technology of double metal side plates with special structure to connect control-valve, return-valve and pump as a whole body, the pumps are featured of strong resistance of high working pressure, long lifetime, smart and simple hydraulic system as integration of pump and valve, which makes the pump being the ideal power source of dump truck hydraulic system.

外形图 Layout



性能参数

理论排量: 140ml / r
 额定压力: 80kgf / cm²
 控制阀杆的钢丝作用力: 15kg
 油泵总质量: 37kg
 最高压力: 210kg / cm²

Performance parameter

Theoretical displacement: 140ml/r
 Rated pressure: 80kgf / cm²
 Steel cable force of controlling valve: 15 kg
 Total weight of oil pump: 37 kg
 Max pressure: 210 kg/cm²

工作条件

油液温度范围: -20℃ -80℃
 液压油粘度范围: 10-75c.S.t.
 油液过滤精度: ≤25um
 吸油高度: ≤500mm
 驱动: 采用挠性联轴器直接驱动
 旋转方向: 逆时针(从轴端看)

Working conditions

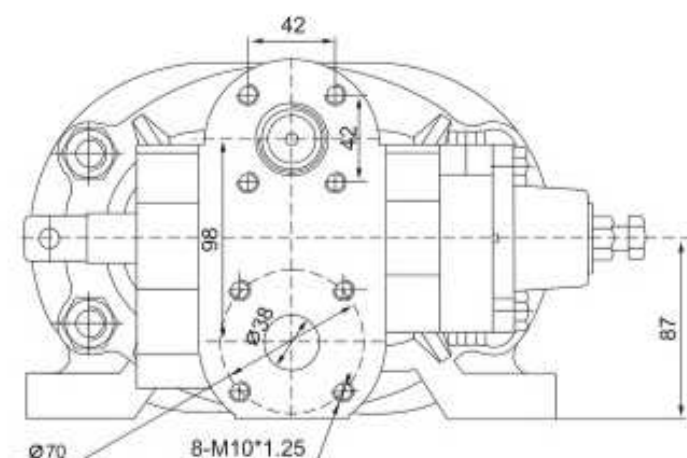
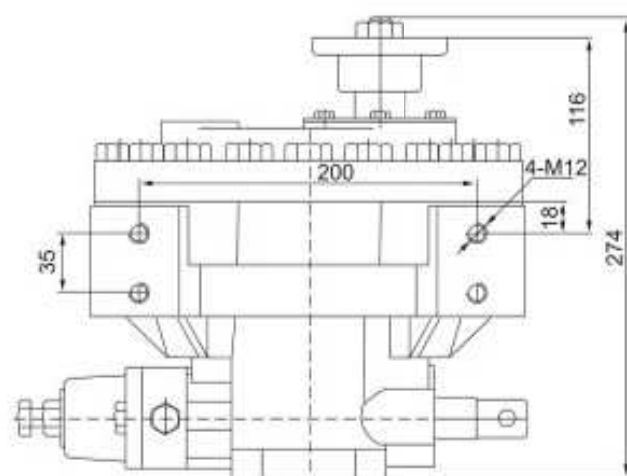
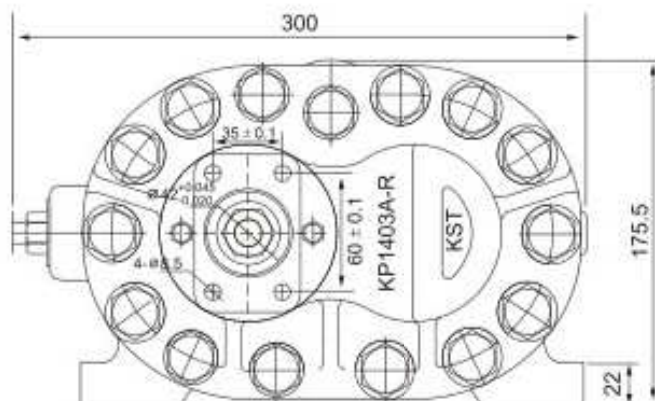
The temperature of hydraulic oil: -20℃ -80℃
 Viscosity of hydraulic oil: 10 -75c.s.t
 Oil filter precision: ≤25um
 Oil suction height: ≤500mm
 Drive: use flexible coupling by direct drive
 Direction of rotation: counterclockwise (from shaft end of pump)

KP1403A-R自卸车举升泵 KP1403A-R dump truck lifting gear pumps

KP1403A-R举升泵主要用于10-20吨自卸车的液压系统中，作为倾斗油缸的液压动力源，该泵采用高强度铸铁材料，使其承受能力极强，内部结构采用了双金属侧板，操纵阀与止回阀与泵体联体等多项先进技术，该泵具有工作压力高，使用寿命长，泵阀一体简化液压系统等特点，是自卸车液压系统的理想动力源。

KP1403A-R lifting gear pumps are mainly applied in 10-20 tons dump truck hydraulic system as the hydraulic power source of bucket cylinder. Adopting the material of high strength casting iron and the advanced technology of double metal side plates with special structure to connect control valve, return-valve and pump as a whole body, the pumps are featured of strong resistance of high working pressure, long lifetime, smart and simple hydraulic system as integration of pump and valve, which makes the pump being the ideal power source of dump truck hydraulic system.

外形图 Layout



性能参数

理论排量: 140ml / r
 额定压力: 80kgf / cm²
 控制阀杆的钢丝作用力: 15kg
 油泵总质量: 37kg
 最高压力: 210kg / cm²

工作条件

油液温度范围: -20℃ -80℃
 液压油粘度范围: 10-75c.S.t.
 油液过滤精度: ≤25um
 吸油高度: ≤500mm
 驱动: 采用挠性联轴器直接驱动
 旋转方向: 顺时针(从轴端看)

Performance parameter

Theoretical displacement: 140ml/r
 Rated pressure: 80kgf / cm²
 Steel cable force of controlling valve: 15 kg
 Total weight of oil pump: 37 kg
 Max pressure: 210 kg/cm²

Working conditions

The temperature of hydraulic oil: -20℃ -80℃
 Viscosity of hydraulic oil: 10 -75c.s.t
 Oil filter precision: ≤25um
 Oil suction height: ≤500mm
 Drive: use flexible coupling by direct drive
 Direction of rotation: clockwise (from shaft end of pump)

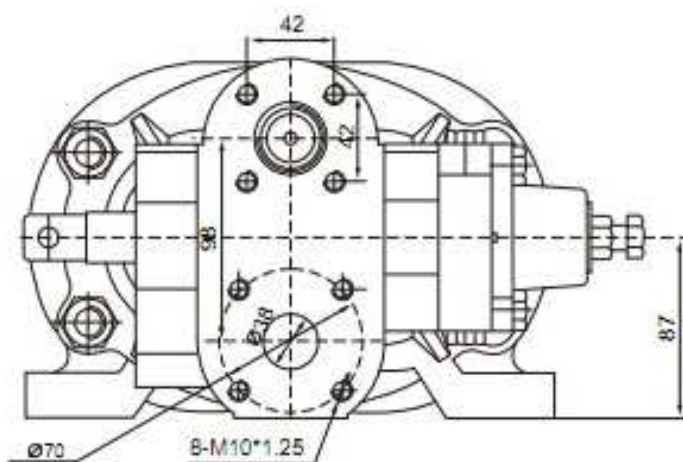
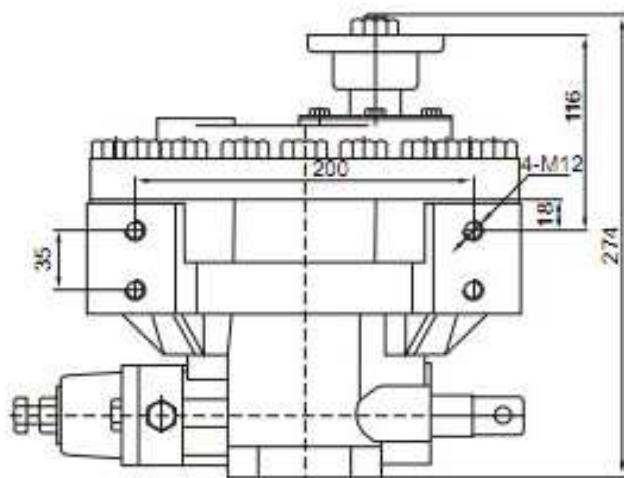
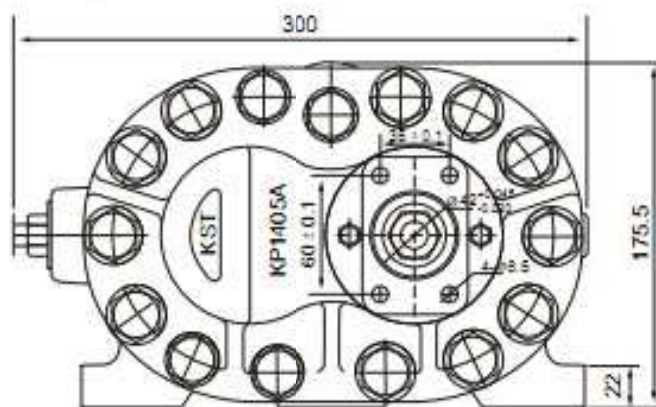
KP1405A自卸车举升泵

KP1405A dump truck lifting gear pumps

KP1405A举升泵主要用于10-20吨自卸车的液压系统中，作为倾斗油缸的液压动力源，该泵采用高强度铸铁材料，使其承受能力极强，内部结构采用了双金属侧板，操纵阀与止回阀与泵体联体等多项先进技术，该泵具有工作压力高，使用寿命长，泵阀一体简化液压系统等特点，是自卸车液压系统的理想动力源。

KP1405A lifting gear pumps are mainly applied in 10-20 tons dump truck hydraulic system as the hydraulic power source of bucket cylinder. Adopting the material of high strength casting iron and the advanced technology of double metal side plates with special structure to connect control-valve, return-valve and pump as a whole body, the pumps are featured of strong resistance of high working pressure, long lifetime, smart and simple hydraulic system as integration of pump and valve, which makes the pump being the ideal power source of dump truck hydraulic system.

外形图 Layout



性能参数

理论排量: 140ml / r
 额定压力: 80kgf / cm²
 控制阀杆的钢丝作用力: 15kg
 油泵总质量: 37kg
 最高压力: 210kg / cm²

工作条件

油液温度范围: -20℃ -80℃
 液压油粘度范围: 10-75c.S.t.
 油液过滤精度: ≤25um
 吸油高度: ≤500mm
 驱动: 采用挠性联轴器直接驱动
 旋转方向: 逆时针(从轴端看)

Performance parameter

Theoretical displacement: 140ml/r
 Rated pressure: 80kgf / cm²
 Steel cable force of controlling valve: 15 kg
 Total weight of oil pump: 37 kg
 Max pressure: 210 kg/cm²

Working conditions

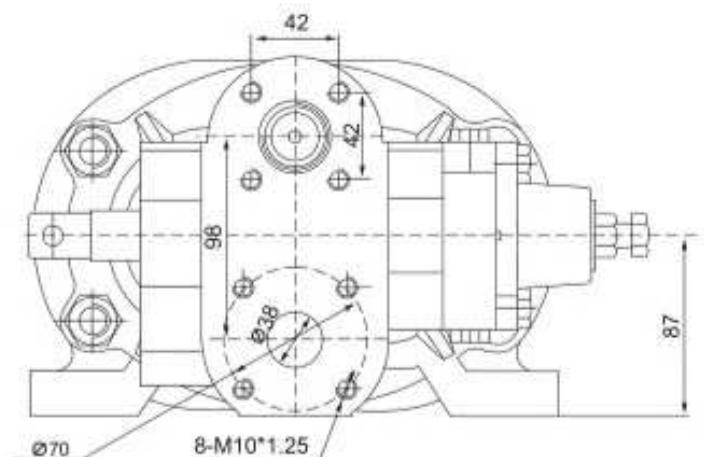
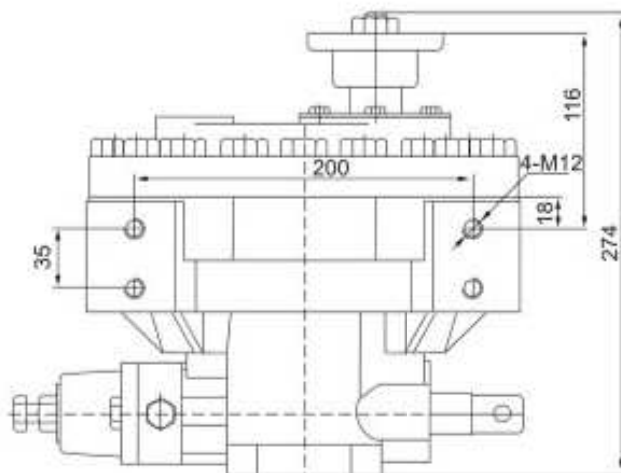
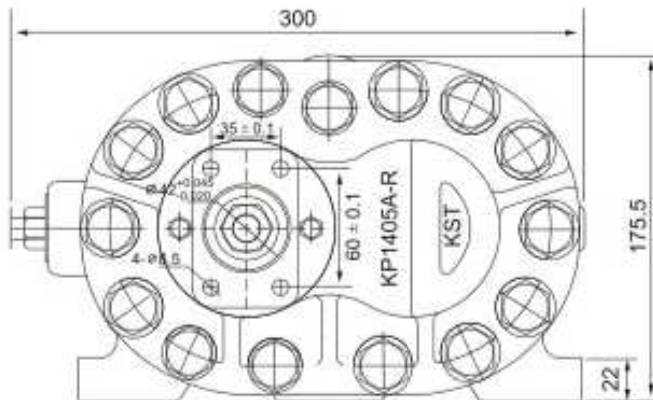
The temperature of hydraulic oil: -20℃ -80℃
 Viscosity of hydraulic oil: 10 -75c.s.t
 Oil filter precision: ≤25um
 Oil suction height: ≤500mm
 Drive: use flexible coupling by direct drive
 Direction of rotation: counterclockwise (from shaft end of pump)

KP1405A-R自卸车举升泵 KP1405A-R dump truck lifting gear pumps

KP1405A-R举升泵主要用于10-20吨自卸车的液压系统中，作为倾斗油缸的液压动力源，该泵采用高强度铸铁材料，使其承受能力极强。内部结构采用了双金属侧板，操纵阀与止回阀与泵体联体等多项先进技术，该泵具有工作压力高，使用寿命长，泵阀一体简化液压系统等特点，是自卸车液压系统的理想动力源。

KP1405A-R lifting gear pumps are mainly applied in 10-20 tons dump truck hydraulic system as the hydraulic power source of bucket cylinder. Adopting the material of high strength casting iron and the advanced technology of double metal side plates with special structure to connect control valve, return-valve and pump as a whole body, the pumps are featured of strong resistance of high working pressure, long lifetime, smart and simple hydraulic system as integration of pump and valve, which makes the pump being the ideal power source of dump truck hydraulic system.

外形图 Layout



性能参数

理论排量: 140ml / r
 额定压力: 80kgf / cm²
 控制阀杆的钢丝作用力: 15kg
 油泵总质量: 37kg
 最高压力: 210kg / cm²

工作条件

油液温度范围: -20℃ -80℃
 液压油粘度范围: 10-75c.S.t.
 油液过滤精度: ≤25um
 吸油高度: ≤500mm
 驱动: 采用挠性联轴器直接驱动
 旋转方向: 顺时针(从轴端看)

Performance parameter

Theoretical displacement: 140ml/r
 Rated pressure: 80kgf / cm²
 Steel cable force of controlling valve: 15 kg
 Total weight of oil pump: 37 kg
 Max pressure: 210 kg/cm²

Working conditions

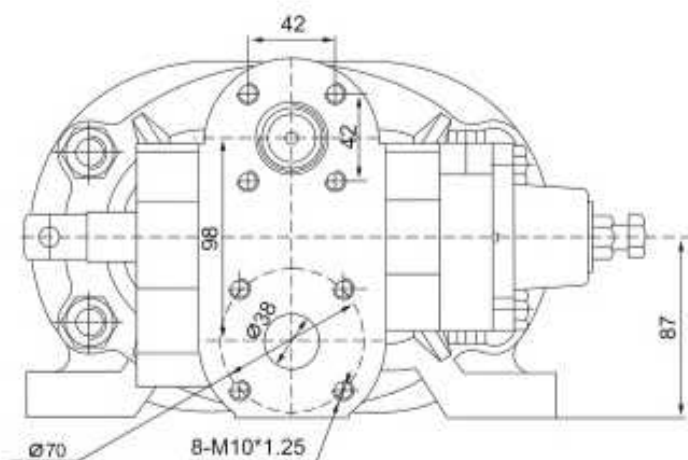
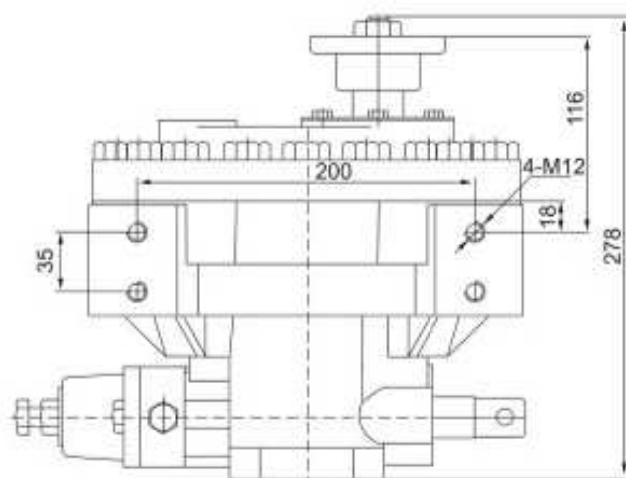
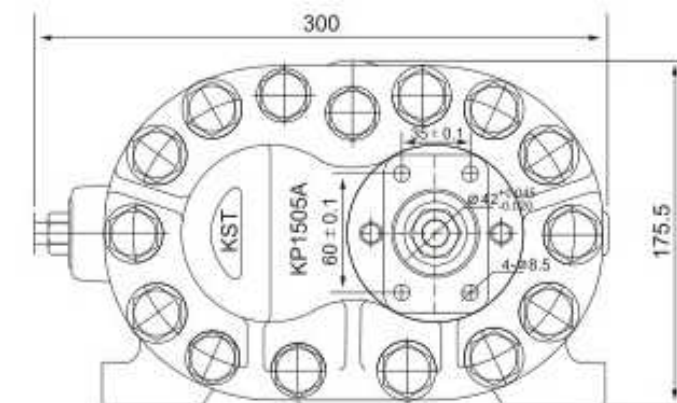
The temperature of hydraulic oil: -20℃ -80℃
 Viscosity of hydraulic oil: 10 -75c.s.t
 Oil filter precision: ≤25um
 Oil suction height: ≤500mm
 Drive: use flexible coupling by direct drive
 Direction of rotation: clockwise (from shaft end of pump)

KP1505A自卸车举升泵 KP1505A dump truck lifting gear pumps

KP1505A举升泵主要用于10-20吨自卸车的液压系统中，作为倾斗油缸的液动力源，该泵采用高强度铸铁材料，使其承受能力极强，内部结构采用了双金属侧板，操纵阀与止回阀与泵体联体等多项先进技术，该泵具有工作压力高，使用寿命长，泵阀一体简化液压系统等特点，是自卸车液压系统的理想动力源。

KP1505A lifting gear pumps are mainly applied in 10-20 tons dump truck hydraulic system as the hydraulic power source of bucket cylinder. Adopting the material of high strength casting iron and the advanced technology of double metal side plates with special structure to connect control valve, return-valve and pump as a whole body, the pumps are featured of strong resistance of high working pressure, long lifetime, smart and simple hydraulic system as integration of pump and valve, which makes the pump being the ideal power source of dump truck hydraulic system.

外形图 Layout



性能参数

理论排量: 150ml / r
额定压力: 80kgf / cm²
控制阀杆的钢丝作用力: 15kg
油泵总质量: 38kg
最高压力: 210kg / cm²

Performance parameter

Theoretical displacement: 150ml/r
Rated pressure: 80kgf / cm²
Steel cable force of controlling valve: 15 kg
Total weight of oil pump: 38 kg
Max pressure: 210 kg/cm²

工作条件

油液温度范围: -20℃ -80℃
液压油粘度范围: 10-75c.S.t.
油液过滤精度: ≤25um
吸油高度: ≤500mm
驱动: 采用挠性联轴器直接驱动
旋转方向: 逆时针(从轴端看)

Working conditions

The temperature of hydraulic oil: -20℃ -80℃
Viscosity of hydraulic oil: 10 -75c.s.t
Oil filter precision: ≤25um
Oil suction height: ≤500mm
Drive: use flexible coupling by direct drive
Direction of rotation: counterclockwise (from shaft end of pump)